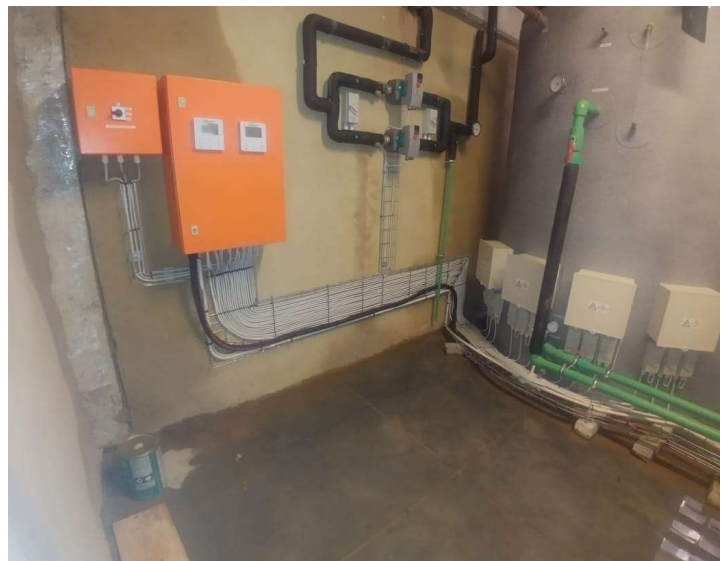
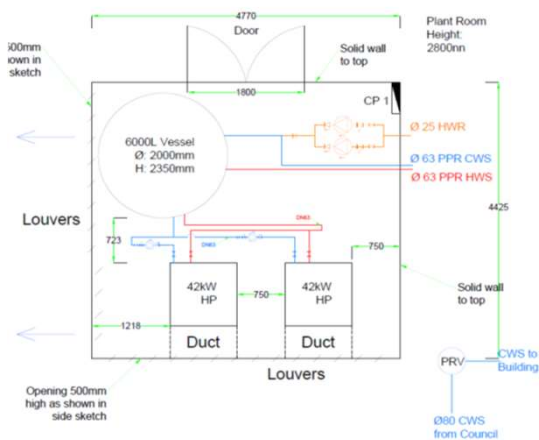


TYTO – RIVONIA APARTMENTS

Scope:

Engineering, Procurement and Construction of Central Hot Water Plant Room with Heat Pumps for 30 Luxury Apartments in Rivonia



Industry: Multi Residential

Technology: Heat Pump

Volume Size: 6000L

Plant Description: 1 x 6000L Heat Accumulator with back-up elements and 2 x 42KW Alliance heat pumps.

Designed by: Solar Heat Exchangers (PTY) Ltd

Installed by: Solar Heat Exchangers (PTY) Ltd

Year of Installation: 2020

